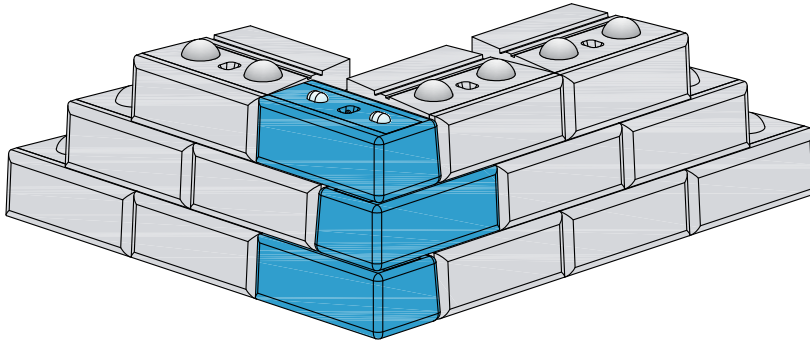
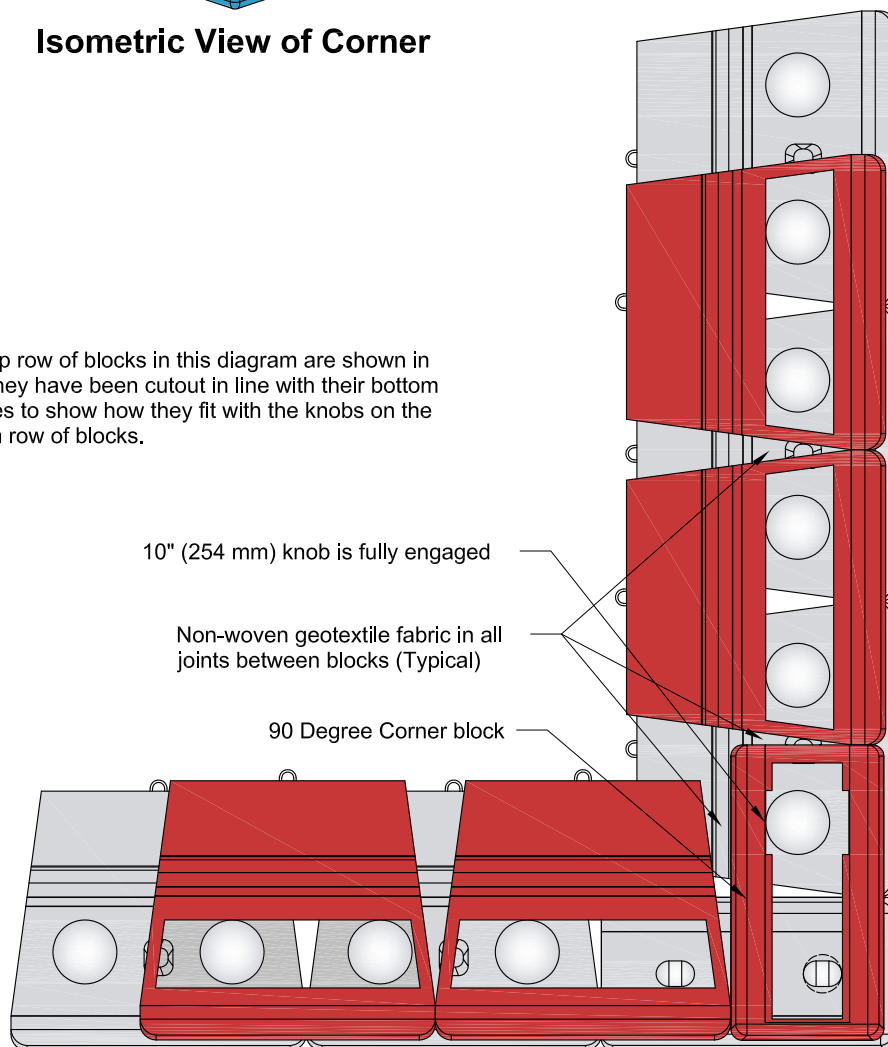


### 90° Outside Corner



**Isometric View of Corner**

The top row of blocks in this diagram are shown in red. They have been cutout in line with their bottom grooves to show how they fit with the knobs on the bottom row of blocks.



10" (254 mm) knob is fully engaged

Non-woven geotextile fabric in all joints between blocks (Typical)

90 Degree Corner block

**Top View of Bottom Two Rows**

This drawing is for reference only. Determination of the suitability and/or manner of use of any details contained in this document is the sole responsibility of the design engineer of record. Final project designs, including all construction details, shall be prepared by a licensed professional engineer using the actual conditions of the proposed site.